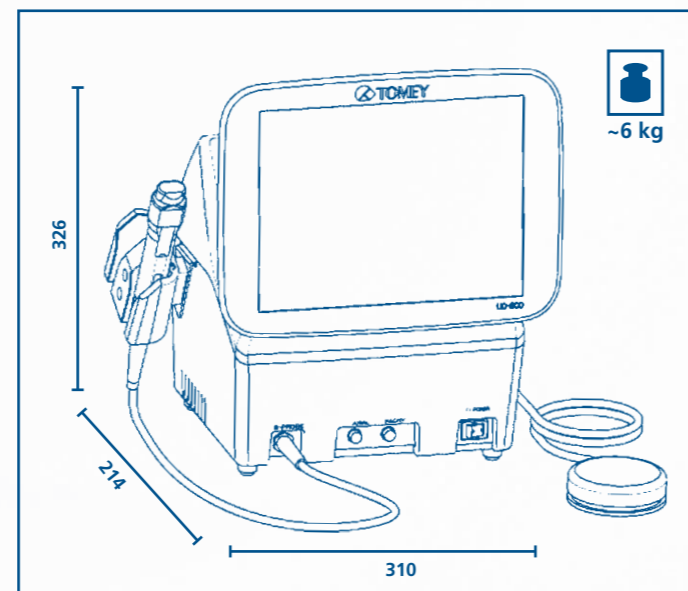


SPECIFICATIONS

10 MHZ B-PROBE 2-RING SECTOR SCANNING	
Frame rate basic mode	20 frames / sec
Maximum number of pages in a movie	200 pages x 2
Image display range	
Standard	35.2 mm / 52° (at ultrasound velocity = 1,550 m/sec)
Wide	48.0 mm / 52° (at ultrasound velocity = 1,550 m/sec)
Axial & lateral resolution / accuracy	0.6 mm / ±0.5 mm
Acoustic lines	131 lines (step by 0.4°)
Colour scale	256 scale level
40 MHZ UBM PROBE SINGLE LINEAR SCANNING	
Frame rate basic mode	10 frame / sec
Maximum number of pages in a movie	100 pages x 2
Image display range	9 mm (W) x 7mm (D) (at 1,550 m/sec)
Axial & lateral resolution / accuracy	0.05 mm / ±0.1 mm
Minimum distance unit between cursors	0.02 mm step (at 1,550 m/sec)
Acoustic lines	450 lines (step by 0.02 mm)
Colour scale	256 scale level
BIOMETRY 10 MHZ SOLID STATE PROBE WITH BUILT IN RED FIXATION LED	
Measurement range	45.00 mm
Measurement resolution / accuracy	0.01 mm / ±0.1 mm
IOL power calculation	Haigis standard Haigis optimised Hoffer @Q Holladay 1 SRK II SRK/T SRK SHOWA Shammas-PL SRK/T Double K
A-SCAN DIAGNOSIS 10 MHZ SOLID STATE PROBE	
Measurement range	60 mm
Measurement resolution / accuracy	0.01 mm / ±0.1 mm

PACHYMETRY 20 MHZ SOLID STATE PROBE TIP 1.5 MM WITH AN ANGLE OF 45°	
Measurement range	150 to 1,500 µm
Measurement resolution / accuracy	1 µm / ±5 µm
Percent bias	60 to 130%
Plus minus bias	-600 to +450 µm
Velocity range / standard	1,400 to 2,000 m/s / 1,640 m/s
CONNECTORS	
B-scan for 10 or 40 MHz, a-scan / pachymeter, foot switch, LAN, USB 2 x standard 2 x OA-2000/PicBrigde	
DIMENSIONS AND WEIGHT	
Dimension WDH	310 x 214 x 326 mm
Weight	6.0 kg
DISPLAY	
TFT LCD	10.4 inches, colour touch screen
POWER SOURCE	
Input Voltage	100-240 VAC
Frequency	50/60 Hz
Power consumption	120 VA

DIMENSIONS



2015/08 - subject to change without notice

ULTRASOUND DEVICE UD-800

MODULAR A/B-SCAN SYSTEM

DELIGHT IN SIGHT

All in one. For complete ultrasound diagnostic needs.



- Modular configurable
- Internal database
- Biometer A-scan 10 MHz
- 10 MHz 2-ring array B-probe

- Pachymetry (optional)
- UBM 40 MHz B-probe (optional)
- A-diagnostic probe (optional)
- Connectable to OA-2000



TOMEY EUROPE
TOMEY GmbH
Am Weichselgarten 19a
91058 Erlangen, Germany
Phone +49 9131 777 10
Fax +49 9131 777 120
Email info@tomey.de

TOMEY ASIA-PACIFIC
TOMEY CORPORATION JAPAN
2-11-33 Noritakeshinmachi
Nishi-ku, Nagoya 451-0051, Japan
Phone +81 52 581 5327
Fax +81 52 561 4735
Email intl@tomey.co.jp

TOMEY
TECHNOLOGY AND VISION

www.tomey.de

TOMEY
TECHNOLOGY AND VISION

THE TOMEY ULTRASOUND DEVICE UD-800



QUALITY IN DETAIL

B-scanner, Biometer, Pachymeter and A-Diagnostic – all in one.

The **UD-800** was developed to satisfy all your expectations. Features like the new generation of annular array probes, high resolution touch-screen operation or data communication via USB or LAN makes this device easy in handling and efficient and fast in operation.

Simply choose all your needed features! With its included 10 MHz unique 2-ring array B-Scan probe and the A-Scan biometry probe the UD-800 is a fantastic basic tool for a high end performance.

An intuitive software guides you easily through all measurements, which can be printed out (internal printer as well as external printer). Or just simply save the data on the internal database or on the PC. With the DICOM conform export hospital networks are no problem anymore or just simple pure data export, it is your choice.

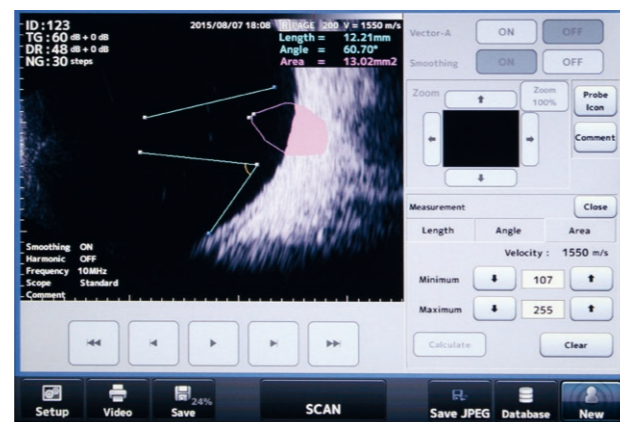
FIVE PROBES

Decide for more options now or later – with the optional 40 MHz linear UBM or 20 MHz Pachymetry probe – they are all easy to attach. Even A-diagnostic with the log, linear or S-mode is no problem.



UNIQUE 10 MHZ 2-RING ARRAY B-PROBE

Advanced vitreous diagnostic examination due to our new optimised wide field tissue penetration mode.



INTERNAL DATABASE

You can simply save the data on the internal database or on the PC.

Preservation Data List		UD-800 External Memory	
Latest Measure Date	ID : 123	SEX :	
Date: 07/Aug/2015 18:19	Name : TEST TEST	Date of Birth :	
Mode: Axial(US)	Date : 07/Aug/2015 18:19		
R: 24.92mm L:	Update : 07/Aug/2015 18:20		
	Mode : Axial(US)		
	Physician :		
	R Eye Type : Phakic(M/V)	L Eye Type :	
	Fitting : Contact	Fitting : Contact	
	Avg. Axial : 24.92mm	Avg. Axial :	

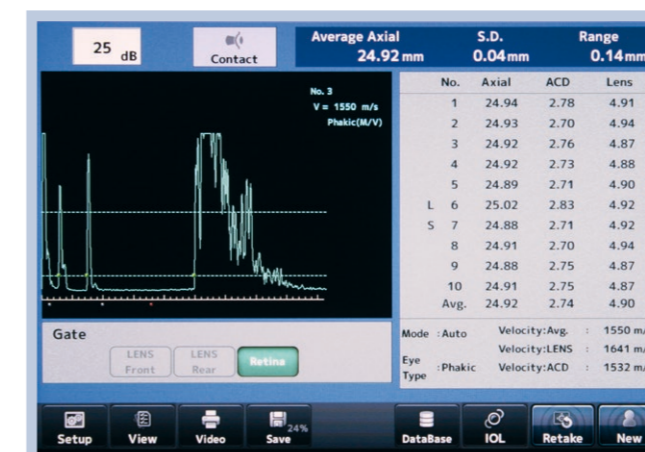
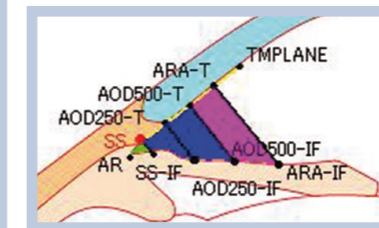
40 MHZ UBM (OPTIONAL)

Membrane waterproofed cap (disposable) provides fast and easy testing without the need of a water bath. Due to this technology you are able to examine your patient in an upright position with much more comfort – for you and your patient.

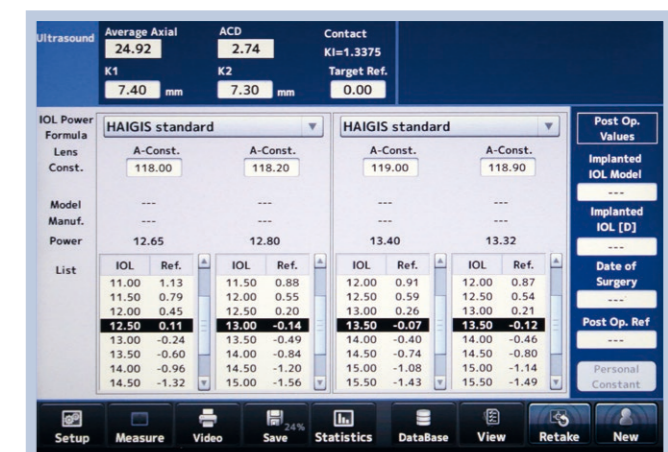
MEMBRANE CAP



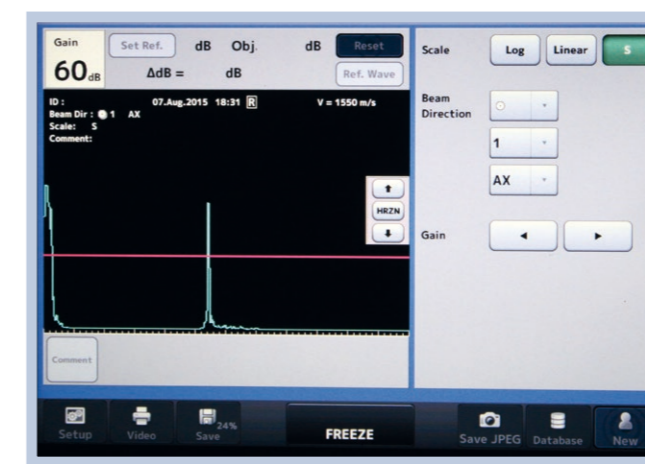
ANGLE ANALYSIS



Biometry



IOL calculation



Standardised A-diagnostic with S-mode



Pachymetry with central and map function