

A  
N  
E  
Y  
E  
F  
O  
R  
D  
E  
T  
A  
I  
L

# Eye Care IQ Enhancement



## OU-2003

OPHTHALMIC  
REFRACTION UNIT

The Compact,  
Comprehensive  
Instrument Delivery  
System.

**NEOTECH**  
MEDICAL  
PRIVATE  
LIMITED

# OU-2003

## OPHTHALMIC REFRACTION UNIT

*The Compact,  
Comprehensive  
Instrument Delivery  
System.*

- Specially engineered to incorporate a vast range of Testing, Diagnostic and Operative Instruments & Procedures.

Intelligent Space Management;  
Optimal Examination Efficiency

COMFORT

ACCURACY

HIGH MANOEUVRABILITY

[Available in Right-handed (Standard)  
& Left-handed Models]



## CONTROL PANEL: DESIGN & TECHNOLOGY SPECIALITIES:

- Elegantly moulded, single-piece Console Panel for centralized control of the entire unit.
- Multifaceted controls for up / down & backward / forward chair movements & zero-position memory.
- Built-in connectivity for Indirect Ophthalmoscope, Near Vision Holder & Projector.

## EFFICIENCY ENHANCEMENT



## EASE OF USE



## CONSULTING CONVENIENCE

## UNIT: DESIGN & TECHNOLOGY SPECIALITIES:

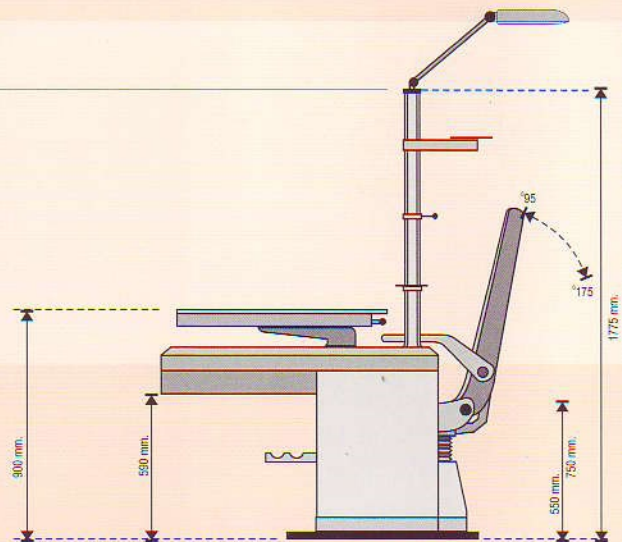
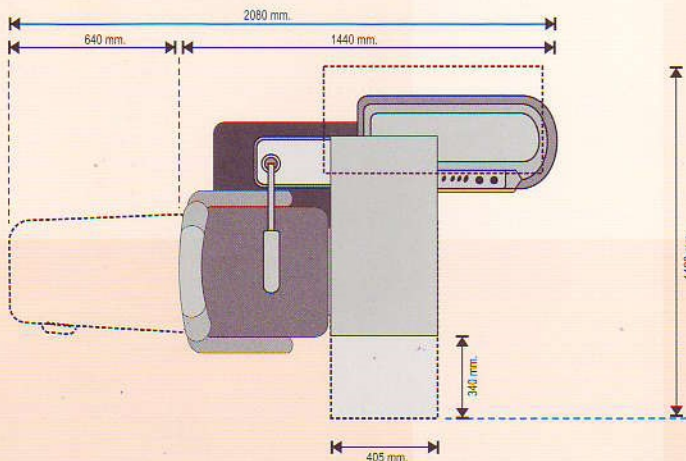
- Broad-based design for high stability.
- Sturdy, stable, jerk-free performance.
- High durability.
- Well-balanced mounting space.
- Smooth-sliding table top with ample space for 2 instruments.
- Automatic, under-the-table connection for Slit Lamp.
- Touch-activated Safety Switch to stop inadvertent chair movements.
- Bright overhead task light.
- Integrated, centralized Control Console with touchstone keys.
- Fluid movements through **CE-marked German-make DC Motor**.
- Strong pole to support Lamp, Phoropter & Projector.
- Near Vision Holder & Projector Arm with height & position manoeuverability.
- Built-in connectivity for Indirect Ophthalmoscope, Near Vision Holder & Projector.
- Convenient Instrument Holder Tray.
- Dust-free, enclosed Trial Lens Rack with straight, unobtrusive, in & out sliding movement.

## FLUIDITY OF MOTION

### CHAIR: DESIGN & TECHNOLOGY SPECIALITIES:

- Fully flexible, rotating recliner chair.
- Adjustable footrest, which can be fully raised to sleeping position.
- Integrated Headrest.
- Foot Switch for fluid up / down movement control.
- Comfortable, anti-static, polyurethane seat.
- Electro-mechanical up/down & back & forth movements.
- Ideal inclination control from chair-side & control panel.
- High load-lifting capacity at minimum power consumption.

## GREAT VALUE FOR MONEY



[Please Note: Specifications are subject to modifications, as per emerging market demands.]

**NEOTECH**  
MEDICAL  
PRIVATE  
LIMITED

41, TIRUPATI INDUSTRIAL ESTATE,  
NEAR AMBER CINEMA, SARASPUR,  
AHMEDABAD - 380 024 (INDIA)  
PHONE : +91-79-2274 4413, 2274 3259  
FAX : +91-79-2274 4264  
E-mail : neotech@wilnetonline.net  
Website : www.neotechmedical.com

### Philobiotics Private Limited.

Level 04, No: 20, Hedges Court,

Colombo 10

Tel : 2697669 , Fax : 2697659

E-Mail : philobiotics@philobiotics.com

**PhiloBiotics**  
BECAUSE LIFE IS PRECIOUS